

12.2 Outside dimensions and mass

■ Outside dimensions and mass

Voltage class	Applicable motor (kW)	Inverter type	Dimensions (mm)										Drawing	Approx. weight (kg)
			W	H	D	W1	H1	H2	D2	A1	A2			
3-phase 240V	0.4	VFS15-2004PM-W1	72	130	120	60	121.5	13	7.5	5.5	6.5	A	0.9	
	0.75	VFS15-2007PM-W1			130	1.0								
	1.5	VFS15-2015PM-W1	105	130	93	6	6	B	1.4					
	2.2	VFS15-2022PM-W1			1.4									
	4.0	VFS15-2037PM-W1	140	170	150	126	157	14	7	7	C	2.2		
	5.5	VFS15-2055PM-W1	150	220	170	130	210	12				3.5		
	7.5	VFS15-2075PM-W1	180	310	190	160	295	20	10	10	D	3.5		
	11	VFS15-2110PM-W1										6.8		
15	VFS15-2150PM-W1	E										6.9		
1-phase 240V	0.2	VFS15S-2002PL-W1	72	130	101	131	13	7.5	5.5	6.5	A	0.8		
	0.4	VFS15S-2004PL-W1			120	60						1.0		
	0.75	VFS15S-2007PL-W1	105	130	135	121.5	12	6	6	B	1.1			
	1.5	VFS15S-2015PL-W1			150						93	1.6		
	2.2	VFS15S-2022PL-W1			1.6									
3-phase 500V	0.4	VFS15-4004PL-W1	107	130	153	93	121.5	13	7.5	7	7	B	1.4	
	0.75	VFS15-4007PL-W1											1.5	
	1.5	VFS15-4015PL-W1	140	170	160	126	157	14	7	7	C	1.5		
	2.2	VFS15-4022PL-W1										2.4		
	4.0	VFS15-4037PL-W1	140	170	160	126	157	14	7.5	10	10	D	2.6	
	5.5	VFS15-4055PL-W1	150	220	170	130	210	12					3.9	
	7.5	VFS15-4075PL-W1	180	310	190	160	295	20	10	10	E	4.0		
	11	VFS15-4110PL-W1										6.4		
	15	VFS15-4150PL-W1										6.5		

■ Outline drawing

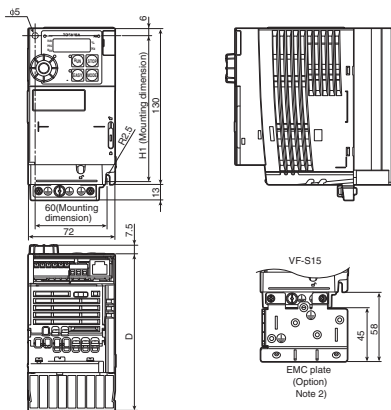


Fig.A

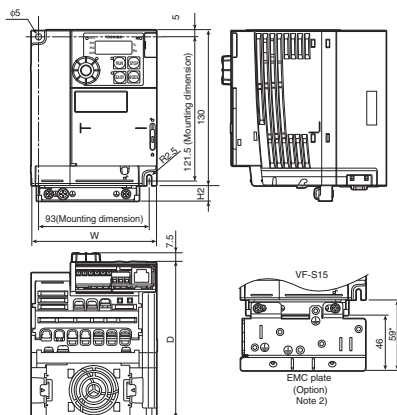


Fig.B

*58mm for 1-phase 240V-1.5, 2.2kW models.

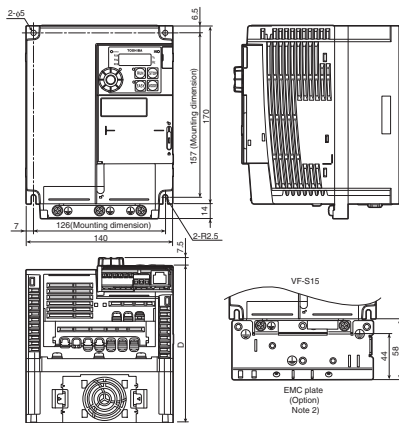


Fig.C

*Above dimension is the size of EMP009Z, 45mm and 59mm for EMP008Z.

Note 1 To make it easier to grasp the dimensions of each inverter, dimensions common to all inverters in these figures are shown with numeric values but not with symbols.

Here are the meanings of the symbols used.

W: Width, H: Height, D: Depth

W1: Mounting dimension (horizontal)

H1: Mounting dimension (vertical)

H2: Height of EMC plate mounting area

D2: Depth of setting dial

A1: Mounting dimension (horizontal) from left side

A2: Mounting dimension (horizontal) from right side

Note 2. Here are the available EMC plates.

Fig.A : EMP007Z

Fig.B : EMP008Z

Fig.C : EMP008Z for 3-phase 500V-2.2/4.0kW models

EMP009Z for 3-phase 200V-4.0kW model

Fig.D : EMP10Z

Fig.E : EMP11Z

Note 3. The models shown in Fig. A and Fig. B are fixed at two points: in the upper left and lower right corners.

Note 4. The model shown in Fig. A is not equipped with a cooling fan.

Note 5. The cooling fan of 1-phase 240V-1.5, 2.2kW models are on the upper side of the inverter.

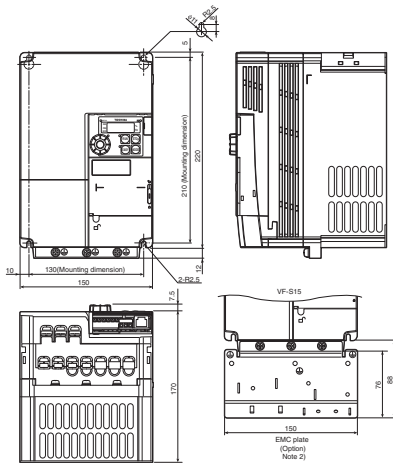


Fig.D

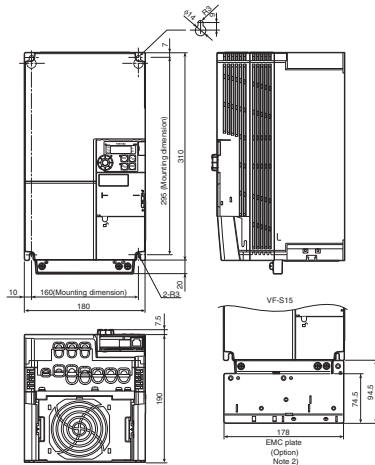


Fig.E